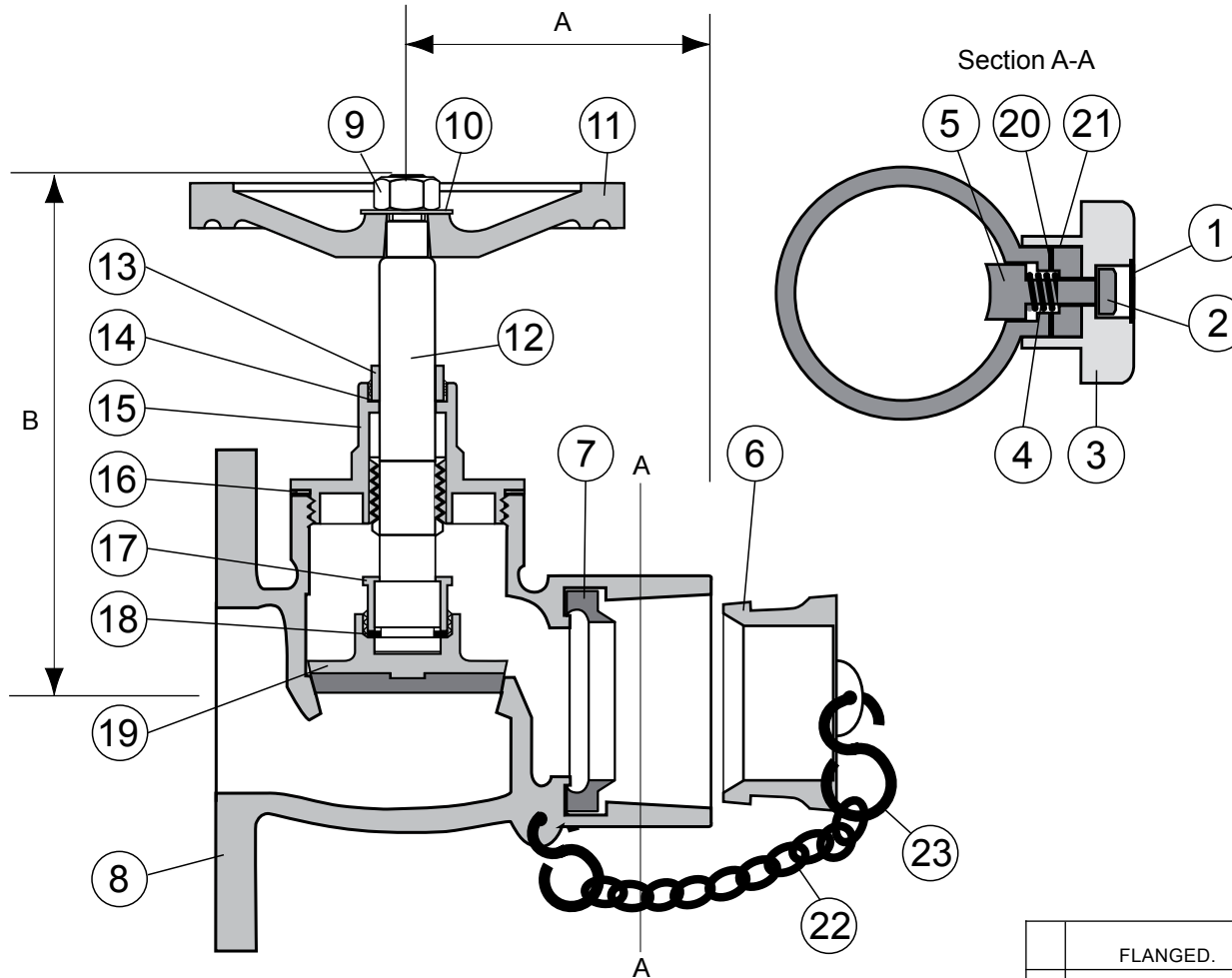


STRAIGHT THROUGH HYDRANT VALVE TO BS 5041 PT1



World Class Fire Products



	FLANGED.
A	110mm
B	OPEN = 225mm CLOSED = 205mm

MODEL NO.	OUTLET	INLET	Wt
HYH010001	BS336 (Female Inst.)	2" Table D/E Flange	7kg
HYH020001		2.5" Table D/E Flange	7.2kg
HYH030001		3" Table D/E Flange	8.4kg
HYH110001		2" PN16 Flange	7.2kg
HYH120001		2.5" PN16 Flange	8.4kg
HYH210001		2" ANSI 150lb FF Flange	7kg
HYH220001		2.5" ANSI 150lb FF Flange	8.4kg
HYH230001	3" ANSI 150lb FF Flange	9kg	
Test Pressure	Seat Test - 16.5 Bar (239.25 PSI) Body Test - 22.5 Bar (326.25 PSI) 2 Minute for each test		
Design	In Compliance with BS 5041 Part 1.1987 (Low Pressure)		
Working Pressure	15 Bar (217.5 PSI) , 0°C To 38°C		

Item No.	Part No.	Description	Material	Qty
1.	XHY000001	26mm Earknob Plastic Cap	LDPE	1
2.	XHY000002	5/16" Lock Nut	Z.Plate	1
3.	XHY000003	Earknob Forged- LV	Brass	1
4.	XHY000004	Earknob Spring (9.0x22x7x1.6)	S.Steel	1
5.	XHY000005	Catches (25.4x12.7)	Brass	1
6.	BLP000200	Blank Cap Red (BS 336)	H.I. Polystyrene	1
7.	XHY000006	G6 Rubber Washer	Rubber	1
8.	See Above	Body-STLV	LG2	1
9.	XHY000007	1/2" Nut	S.Steel	1
10.	XHY000008	M12 Washer	S.Steel	1
11.	XHY000009	Handwheel-0.5	Cast Iron	1
12.	XHY000010	Stem-UKLV	CZ121	1
13.	XHY000011	Gland Nut	Brass	1
14.	XHY000012	'O'-Ring 018 (18.77x1.78)	Nitrile	1
15.	XHY000013	Bonnet-UKLV	CZ122	1
16.	XHY000014	Nylon Gasket (70x5x1)-LV	Nylon	1
17.	XHY000015	Disk Gland Nut	Brass	1
18.	XHY000016	Disk Glands	Brass	2
19.	XHY000017	Disk Facing Rubber-UKLV	CZ122	1
20.	XHY000018	Self Lock Pin - M3x10	M.Steel	2
21.	XHY000019	Earknob Adaptor	Brass	1
22.	XHY000020	Chains (150x2)	Brass	1
23.	MIS190001	'S' Hook 3mm	Brass	2

